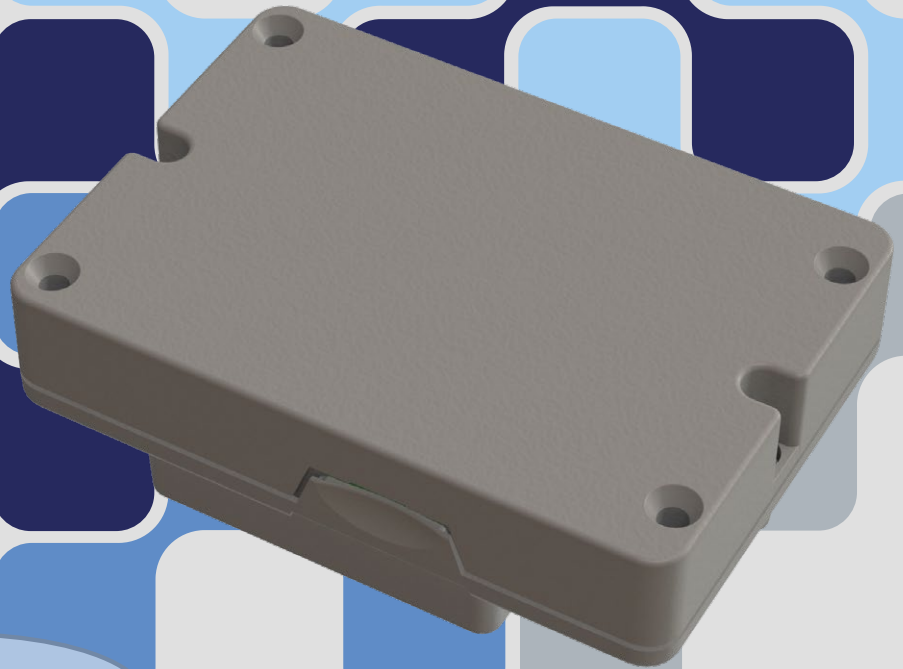


PAYMENT CONTROLLER 3520



PCI 5 COMPLIANT

MODULAR PAYMENT SOLUTION

PAYMENT CONTROLLER FOR

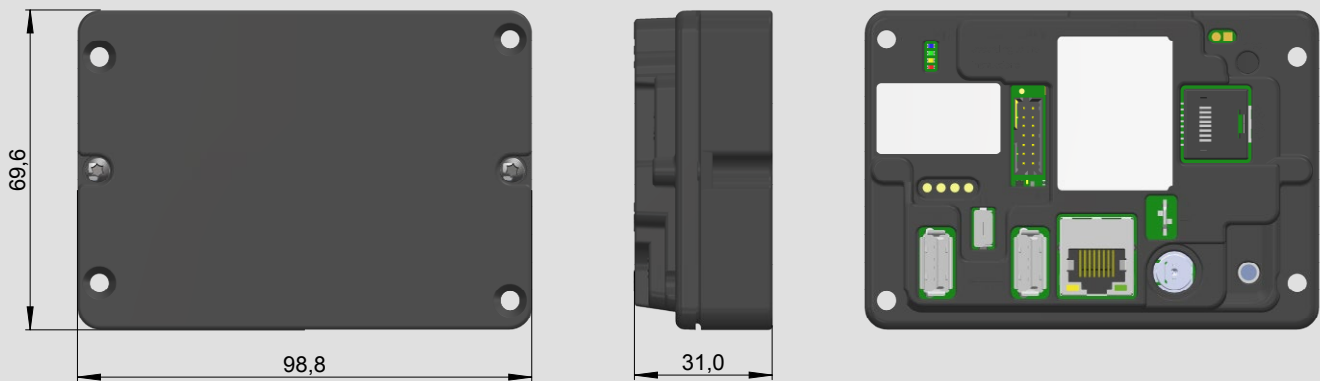
- Petrol
- Parking
- Street Parking
- Vending
- Kiosk
- Retail

HIGHLIGHTS

- EMV Contact L2
- PCI Compliance incl. SRED & OP
- Compact Design
- Ethernet
- Payment Solution SDK



PAYMENT CONTROLLER



ADDITIONAL FEATURES

- Remote Key Load
- AES, 3DES
- DUKPT

PAYMENT CONTROLLER

- Payment Solution (SDK)
- External Peripherals
 - NFC Reader
 - Secure Card Reader
 - Encrypting PIN Pad
 - CryptoTouch ETS

CONNECTIVITY

- SAM Socket
- USB, RS232 and Ethernet
- Extension Port for MDB etc.

COMPLIANCE (IN PROGRESS)

- PCI PTS including SRED & OP
- PCI PA-DSS capable
- PCI P2PE capable
- EMV
 - Contact Level 2

SOFTWARE INTEGRATION

- Payment Solution (SDK)



Scan the code with your smartphone and get more information about Cryptera

CRYPTERA A/S

Fabriksparken 20
DK-2600 Glostrup

Phone: + 45 4343 4395

info@cryptera.com
www.cryptera.com