

CRYPTERA EPP 1217



PCI 3.X
APPROVED

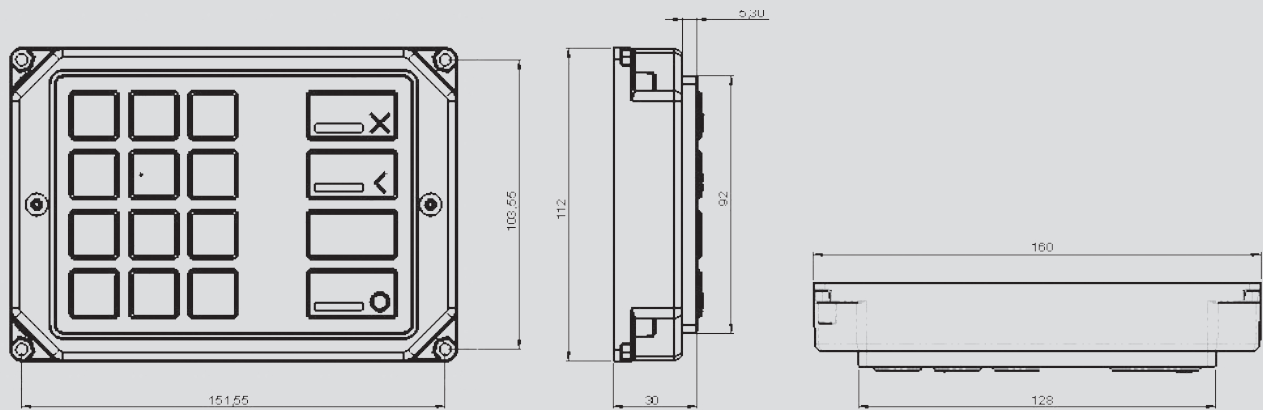
ENCRYPTING PIN PAD

OEM ENCRYPTING PIN PAD FOR:

- Automatic Teller Machines (ATMs)
- Unattended Payment Solutions
 - Petrol forecourt payment
 - Ticket vending machines
 - Kiosk solutions
 - Parking venues
- PCI 3.x Approved PIN Pad
- Polymer Keyboard
- Stainless Steel Keys
- Customised Layouts
- 3DES and Remote Key Load Support
- USB Bus Powered
- Built In Beeper
- Removal Sensor



CRYPTERA EPP 1217



KEYBOARD

- Stainless steel keys in a polymer frame.
- All keyboard text is black. Function keys can have coloured bars.
- Keys are raised and comply with current disability standards.
- Embossing (XOI<) is an available option.
- Keyboard lifetime is two million cycles.

ELECTRICAL INTERFACES

- Power supply: USB Bus Powered.
- External keyboard: Connector for 2 x 4 function keys.
- Built in Beeper: Software Controlled.
- LEDs: Three internal LEDs for diagnostics.

MECHANICAL INTERFACE

Fits into the front panel of many standard ATMs.

ENVIRONMENT

- Keyboard is watertight when correctly mounted in the ATM.
- IP65 (from front of keyboard).
- Keyboard temperature range is -25°C to +65°C.
- Vandal resistance: IK07.
- Device is CE approved.
- Device is ROHS compliant.

APPROVALS

PCI 3.x Approved.

SOFTWARE FUNCTIONS

- Supports Flexible Activation Procedure.
- Remote Key Load (optional).
- Customer-specific software development is offered on request.
- Cryptera has vast experience in building customer-specific solutions.
- Cryptera has a highly educated and experienced development team.



Scan the code with your smartphone and get more information about Cryptera

CRYPTERA A/S

Fabriksparken 20
DK-2600 Glostrup

Phone: + 45 4343 4395
Fax: + 45 4343 5354

info@cryptera.com
www.cryptera.com

